

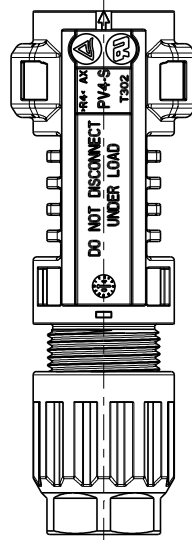
| | | | | |
|----------|-------------------------------|-------------|----|-----|
| REV. NO. | DESCRIPTION | DATE | BY | CHK |
| 1 | UPGRADE STANDARD TO IEC 62852 | 02 JUN 2014 | SG | SM |

SPECIFICATION:

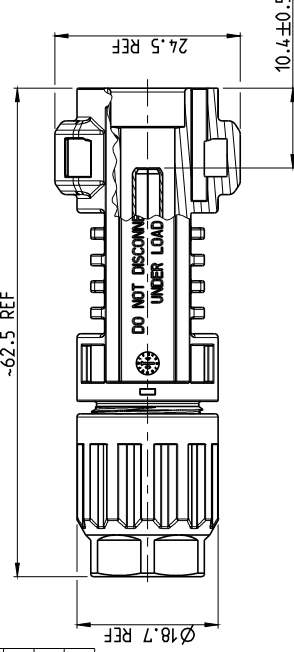
| | | | |
|---------------------------------|-----------------------------------|------------------------------------|-------------------------|
| CABLE CONDUCTOR SIZE | 2.5MM2/14AWG | 4.0MM2/14AWG2 | 6.0MM2/14AWG10 |
| RATED CURRENT (AT 85°C AMBIENT) | UL 15A DC TUV 35A DC | UL 20A DC TUV 40A DC | UL 30A DC TUV 45A DC |
| RATED VOLTAGE | PV4-S: UL 1000V DC / TUV 1000V DC | PV4-S1: UL 1500V DC / TUV 1500V DC | |
| DEGREE OF PROTECTION/MATED | IP 68 (1m, 24h) | | |
| AMBIENT TEMPERATURE RANGE | -40°C ~ +85°C | | |
| OVERVOLTAGE CATEGORY | III | | |
| POLLUTION DEGREE | 2 | | |
| CONTACT RESISTANCE | 0.5mΩ | | |
| CONTACT MATERIAL | COPPER TIN PLATED | | |
| INSULATION MATERIAL | THERMOPLASTIC, UL94-V0 | | |
| SAFETY CLASS | II | | |
| STRIP LENGTH | 6.5mm | | |
| CABLE JACKET DIAMETER | 6.0~7.8mm | | |

CONTACT SHOWN UNINSTALLED, FOR REFERENCE ONLY.

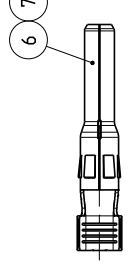
- USE ONLY CRIMPING TOOL OF TE CONNECTIVITY TO CRIMP CONTACT.
- CRIMPING TOOL PN 6-4579014-9 WILL BE USED FOR CRIMPING THE CONTACTS HAVING WIRE SIZE 2.5mm² AND 4.0mm².
- CRIMPING TOOL PN 6-4579014-8 WILL BE USED FOR CRIMPING THE CONTACTS HAVING WIRE SIZE 4.0mm² AND 6.0mm².



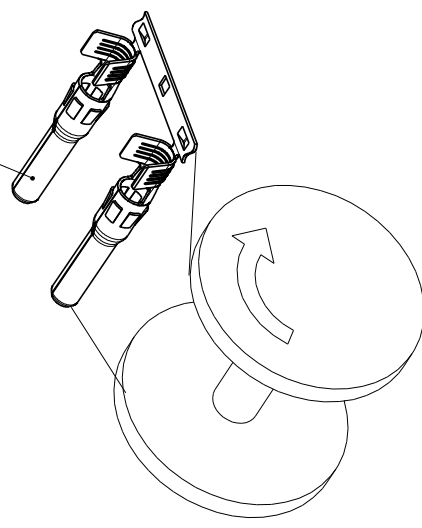
PREASSEMBLED VIEW AS SHOWN



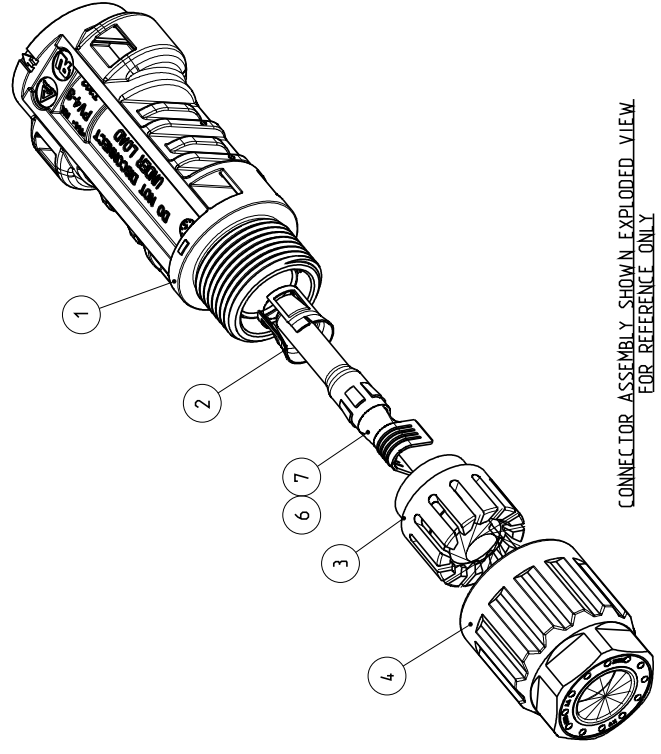
ASSEMBLED VIEW AS SHOWN



PIN CONTACT (LOOSE PIECE)



-1 AS SHOWN



CONNECTOR ASSEMBLY SHOWN EXPLODED VIEW FOR REFERENCE ONLY

| 2-3 | 2-1 | 1-3 | 1-1 | -3 | -1 | PART NUMBER |
|-----|------|------|---------|----|----|--|
| 100 | 2000 | 1000 | 6.0~7.8 | | | PACKAGING QTY. |
| - | 1 | - | - | - | - | PIN CONTACT, 2.5mm ² /14AWG, STRIP |
| 1 | - | - | - | 1 | - | PIN CONTACT, 2.5mm ² /14AWG, LOOSE PIECE |
| - | 1 | - | - | - | 1 | PIN CONTACT, 4-6mm ² /10-12AWG, LOOSE PIECE |
| - | 1 | 1 | 1 | 1 | 1 | PIN CONTACT, 4-6mm ² /10-12AWG, STRIP |
| 1 | 1 | 1 | 1 | 1 | 1 | CABLE SCREW JOINT |
| 1 | 1 | 1 | 1 | 1 | 1 | PINCH RING SEAL INMOLDED, ASSY |
| 1 | 1 | 1 | 1 | 1 | 1 | METAL CLIP |
| 1 | 1 | 1 | 1 | 1 | 1 | PV4-S PIN CONNECTOR. |

| | | | |
|--|--|---|--|
| THIS DRAWING IS A CONTROLLED DOCUMENT. CONTROLLED BY: [Signature] CONTROLLED BY: [Signature] | | DIMENSIONS: mm DIMENSIONS: [Symbol] | MATERIAL: [Symbol] FINISH: [Symbol] |
| QUANTITY PER ASSEMBLY | | DESCRIPTION | |
| 13 JUN 2014 WANG LORRY 13 JUN 2014 CHAO DANIEL 13 JUN 2014 PETER YIN | | TE Connectivity | |
| 13 JUN 2014 PRODUCT SPEC 108-137077 | | PIN CONNECTOR KITS PV4-S/S1 CONNECTOR, PV4-SM+/SM+ | |
| 114-137077 REVISION NO A200779 ©=2270024 | | RESTRICTED TO | |
| CUSTOMER DRAWING | | SCALE: 2:1 SHEET 1 OF 1 REV B | |